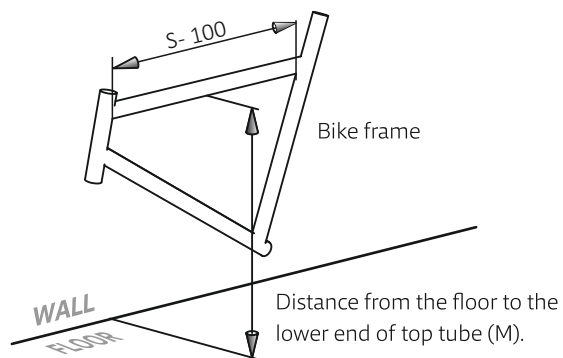
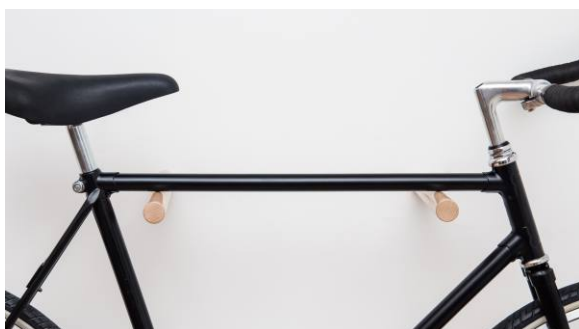


Dear customer,  
thank you for purchasing our product. Please read these brief instructions for successful installation of the hooks. Hooks are delivered with screws and plugs for **brick or concrete** wall.

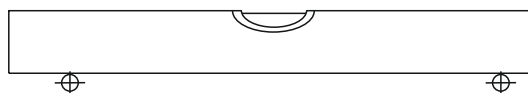
### Step 1

Choose desired height of your bike top tube from the floor (M). Measure inside horizontal part of the frame (S) and subtract 100 mm from it. This will be the distance between center of the hooks.



### Step 2

Mark the position of the hooks on the wall and drill two holes with 12 mm bore bit.  
*Hint: drill first with smaller bore.*

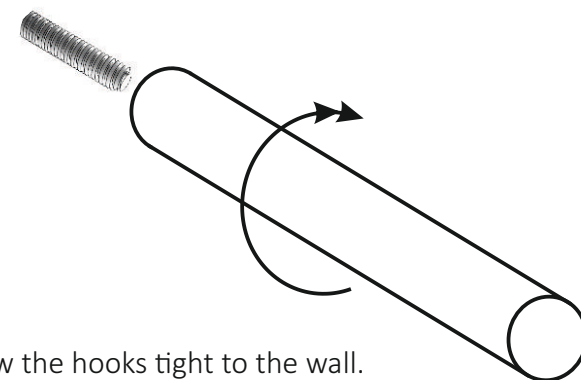
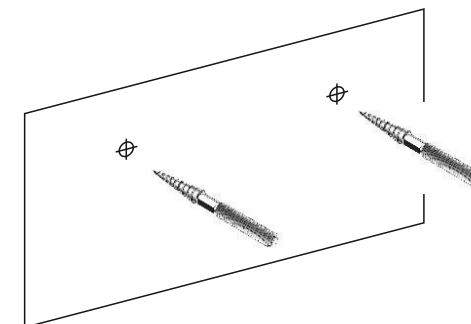


The holes must be leveled.

Put the plastic plugs supplied with hooks into the wall.

### Step 3

Screw the screws into the plugs as on the picture below. Use 8 mm Allen key FIRST and finish screwing with TORX key to the beginning of the metric thread.



Screw the hooks tight to the wall.  
Now is safe to hang your bike.

**CAUTION: Do not attempt to hang the hooks with supplied plugs and screws on plaster board!**

WOOC j.d.o.o Petra Svačića 10 47240 Slunj, Croatia  
Tel: +38516698098, gsm: +385916698098  
info@wooc.hr, wooc.hr

BIKE HOOKS

Mounting instructions